

design **LUCA CIMARRA**

2017

DR7016 Water Drop 160x70

Laid on or built-in in the floor shower tray 160x70 cm
(\varnothing 90mm drainage system not included)

Complements: **Line taps shower:** ONE - NOKÉ - SI - FOLD - X1
Line accessories: TWO - HOOP - NOKÉ - FOLD

Technical accessories: drainage system with **CHROME** cover \varnothing 90mm (PLFR)
drainage system with **CERAMIC** cover \varnothing 90mm (PLFC)

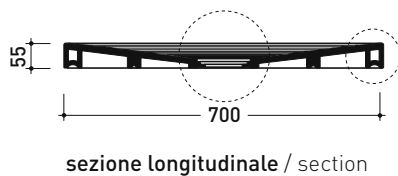
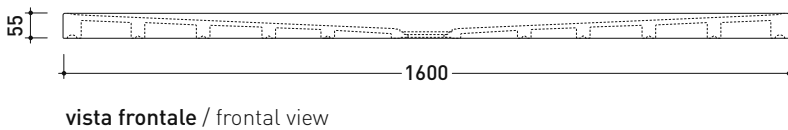
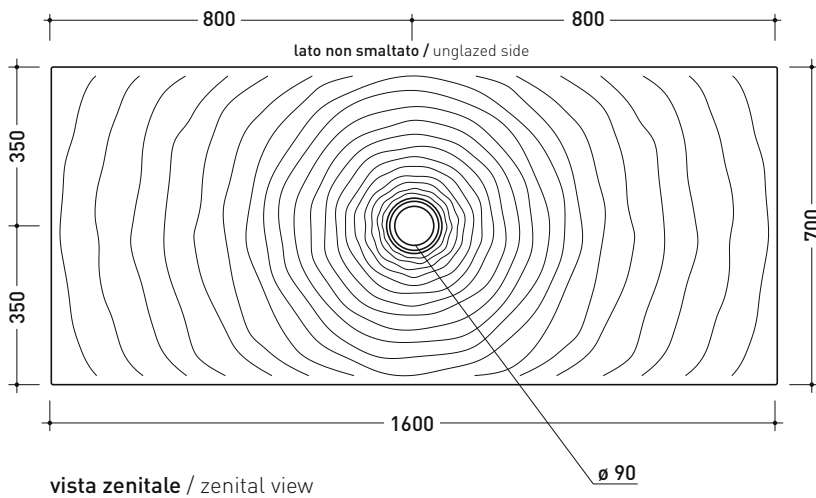
Package dim.

Weight **52,5 kg**

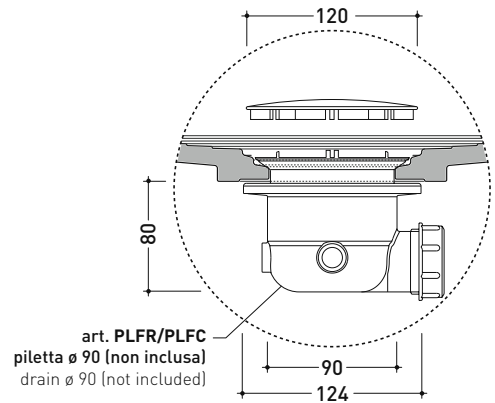
Pz. Pallet n°

CE UNI EN 14527

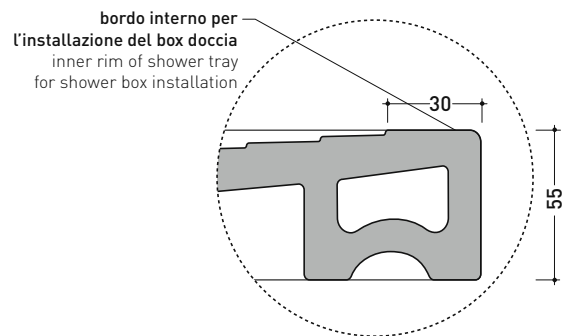
Dop-No14527



PILETTA CONSIGLIATA / SUGGESTED DRAIN



Pilettina sifonata / Drainage
Portata / Flow rate: **0,52 l/sec** (EN 274 >0,4 l/sec)



sizes in mm

Please consider a 2% tolerance on indicated measurements

CERAMIC: glossy finish



matt finish

