

# Water Drop

→ FLAMINIA.

design **LUCA CIMARRA**

2017

## DR70 Water Drop 140x70

Laid on or built-in in the floor shower tray 140x70 cm  
( $\varnothing$  90mm drainage system not included)

Complements: **Line taps shower:** ONE - NOKÉ - SI - FOLD - X1  
**Line accessories:** TWO - HOOP - NOKÉ - FOLD

Technical accessories: drainage system with **CHROME** cover  $\varnothing$  90mm (PLFR)  
drainage system with **CERAMIC** cover  $\varnothing$  90mm (PLFC)

Package dim.

Weight **45,5 kg**

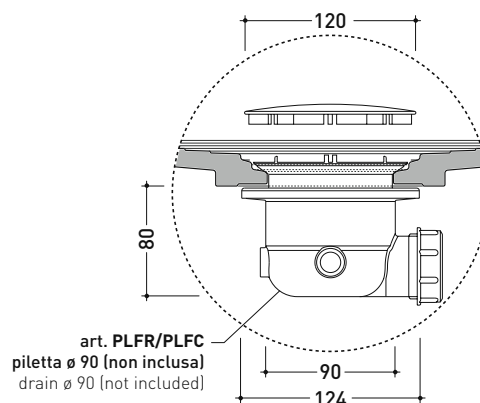
Pz. Pallet n°

CE UNI EN 14527

Dop-No14527

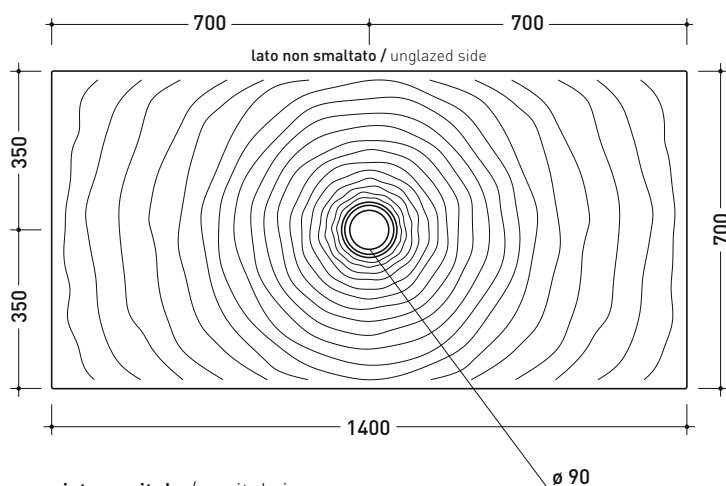


### PILETTA CONSIGLIATA / SUGGESTED DRAIN

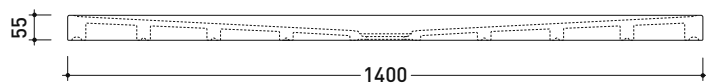


Piletta sifonata / Drainage

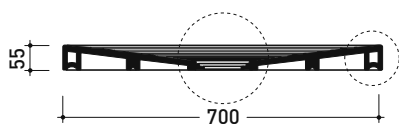
Portata / Flow rate: **0,52 l/sec** (EN 274 >0,4 l/sec)



vista zenitale / zenital view

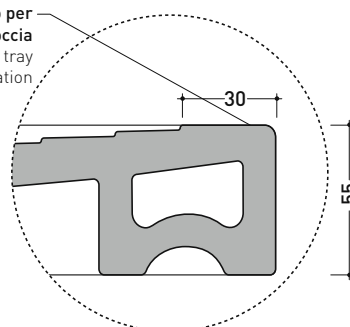


vista frontale / frontal view



sezione longitudinale / section

bordo interno per  
l'installazione del box doccia  
inner rim of shower tray  
for shower box installation



dettaglio del bordo / shower tray rim detail

sizes in mm

Please consider a 2% tolerance on indicated measurements

CERAMIC: glossy finish



white black

matt finish



milky white carbone lava grey nuvola fango rosso rubens petrolio

<http://www.ceramicaflaminia.it/en/products/329-water-drop>

©ceramicaflaminiaspa - All rights reserved. Unauthorized copying, publication, reproduction as well as partial reproduction are prohibited

april 2022

