

Water Drop

→ **FLAMINIA.**

design **LUCA CIMARRA**

2005

DR80 Water Drop 80

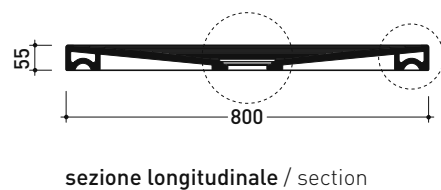
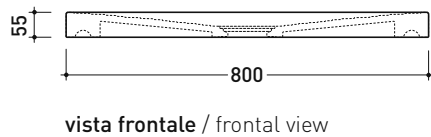
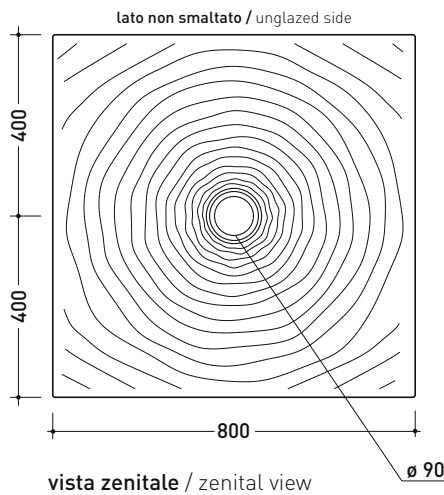
Laid on or built-in in the floor shower tray 80x80 cm
(\varnothing 90mm drainage system not included)

Complements: **Line taps shower:** ONE - NOKÉ - SI - FOLD - X1
Line accessories: TWO - HOOP - NOKÉ - FOLD

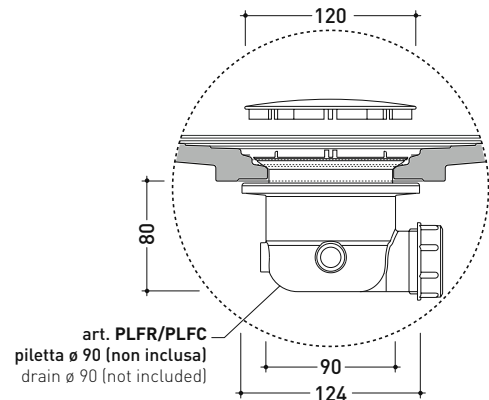
Technical accessories: **drainage system with CHROME cover \varnothing 90mm (PLFR)**
drainage system with CERAMIC cover \varnothing 90mm (PLFC)

Package dim. 80,5 x 55 x 83 cm | Weight 33 kg | Pz. Pallet n° 10

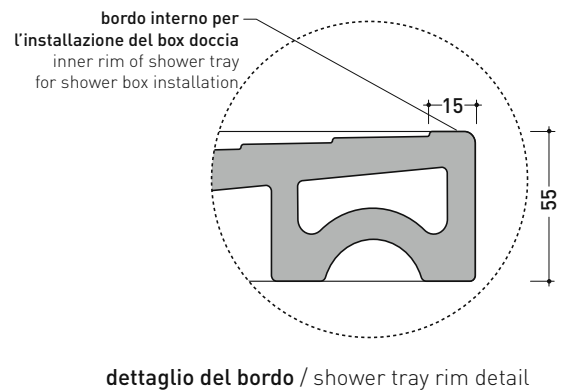
UNI EN 14527 Dop-No14527



PILETTA CONSIGLIATA / SUGGESTED DRAIN



Piletta sifonata / Drainage
Portata / Flow rate: 0,52 l/sec (EN 274 > 0,4 l/sec)



sizes in mm

Please consider a 2% tolerance on indicated measurements

CERAMIC: glossy finish



matt finish

