

BM105L Bloom 105

Wall-hung or suitable for furniture console cm 107

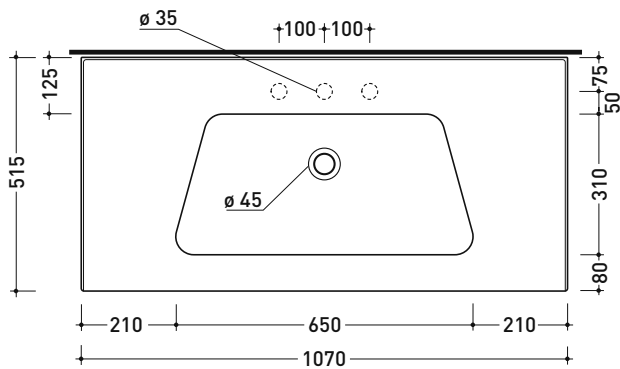
• WITH OVERFLOW • ARRANGED FOR THREE TAP HOLES

Complements: Towel rail structure (BM105S)
 Box wall hung vanity unit H50 with 2 drawers (BBX839)
 Box wall hung vanity unit H50 with 1 drawer (BBX835)
 Box wall hung vanity unit H25 with 1 drawer (BBX969)
 Line taps basin: ONE - NOKÉ - SI - FOLD - X1
 Line accessories: TWO - HOOP - NOKÉ - FOLD

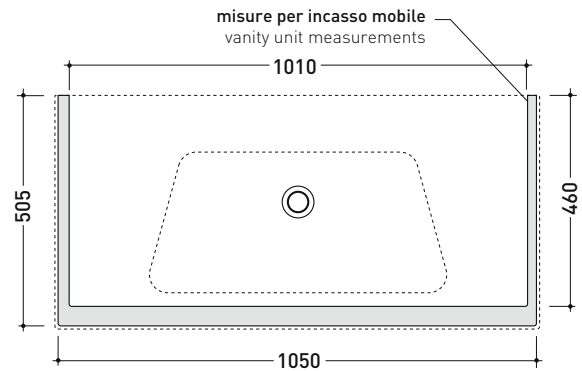
Technical accessories: Chrome siphon (SIFL/CR) - Telescopic chrome siphon (SIFL066)
 Stop & Go drain (PLSG)
 CERAMIC Stop & Go drain (PLCE)
 Two piece set chrome tap filters (RF026)
 Wall fixing kit (9002)

Package dim. | Weight 27,5 kg | Pz. Pallet n° 10

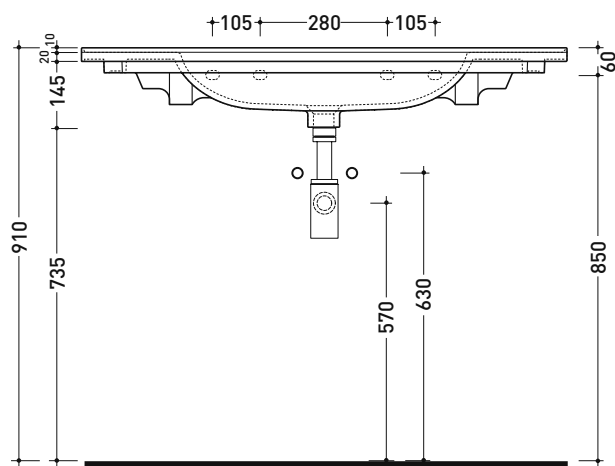
CE UNI EN 14688 - CL20 Dop-No14688



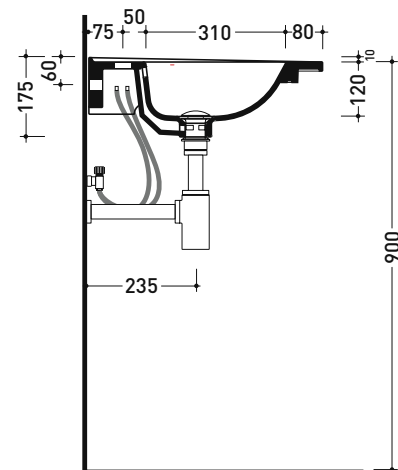
vista zenitale / zenital view



vista zenitale / zenital view



vista frontale / frontal view



sezione longitudinale / section

sizes in mm

Please consider a 2% tolerance on indicated measurements

CERAMICA: glossy finish



matt finish

