

## BM85L Bloom 85

Wall-hung or suitable for furniture console cm 85

• WITH OVERFLOW • ARRANGED FOR THREE TAP HOLES

Complements: Towel rail structure (BM85S)  
 Box wall hung vanity unit H50 with 2 drawers (BBX815)  
 Box wall hung vanity unit H50 with 1 drawer (BBX811)  
 Box wall hung vanity unit H25 with 1 drawer (BBX993)  
 Line taps basin: ONE - NOKÉ - SI - FOLD - X1  
 Line accessories: TWO - HOOP - NOKÉ - FOLD

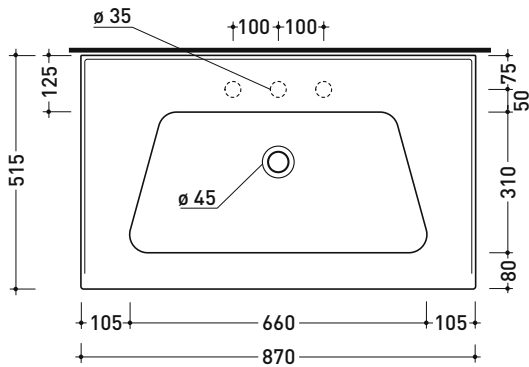
Technical accessories: Chrome siphon (SIFL/CR) - Telescopic chrome siphon (SIFL066)  
 Stop & Go drain (PLSG)  
 CERAMIC Stop & Go drain (PLCE)  
 Two piece set chrome tap filters (RF026)  
 Wall fixing kit (9002)

Package dim.

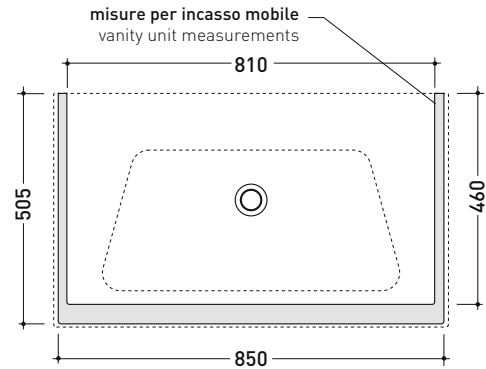
Weight 21,5 kg

Pz. Pallet n° 10

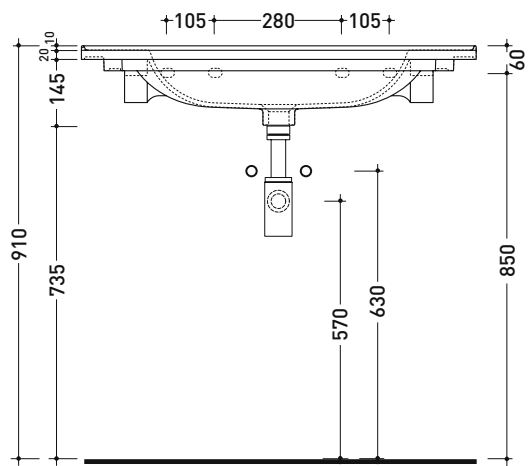
UNI EN 14688 - CL20 Dop-No14688



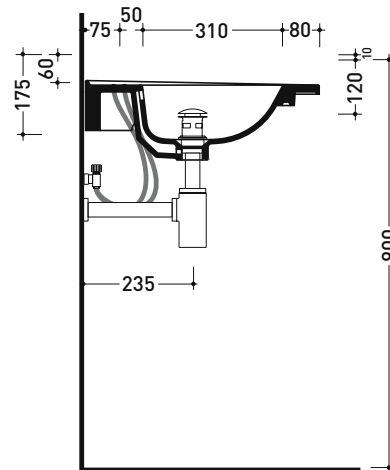
vista zenitale / zenital view



vista zenitale / zenital view



vista frontale / frontal view



sezione longitudinale / section

sizes in mm

Please consider a 2% tolerance on indicated measurements

CERAMICA: glossy finish



white black

matt finish



milky white carbone argilla nuvola fango rosso rubens petrolio