

design LORENZO DAMIANI

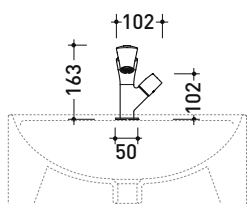
2010

FL3050

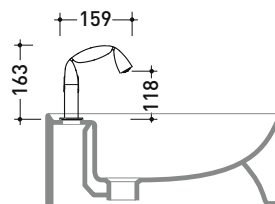
Single lever basin mixer (stop&go drain included)

Complements: Line accessories FOLD

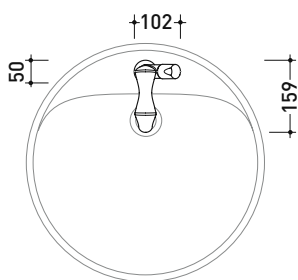
Package dim. 19 x 19 x 12 cm | Weight 1,7 kg | Pz. Pallet n° -



vista frontale / frontal view



vista laterale / lateral view



vista zenitale / zenital view

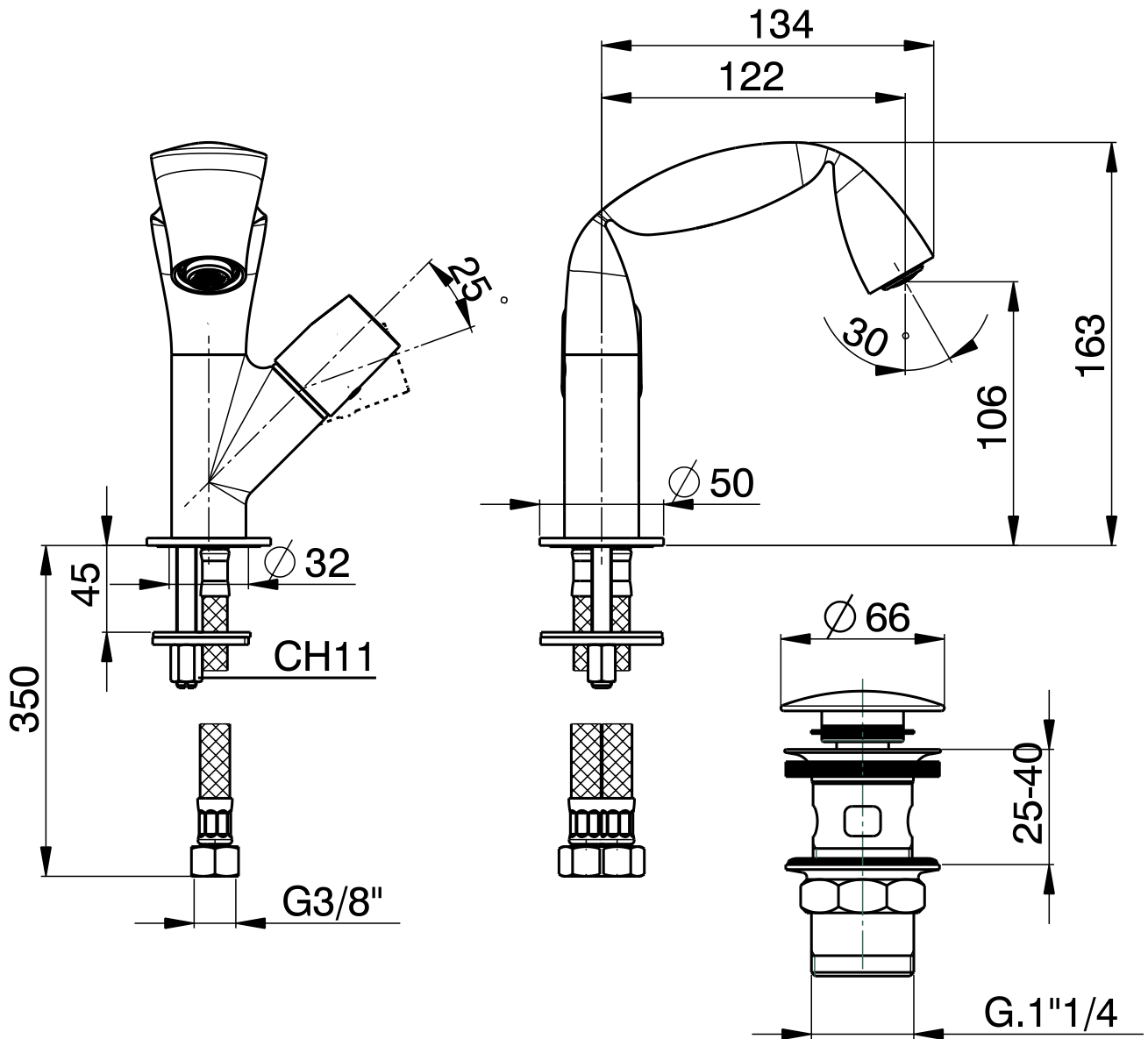
sizes in mm

BRASS: glossy finish



chrome

art. **FL3050**



sizes in mm