

Fold

→ FLAMINIA.

design **LORENZO DAMIANI**

2010

FL3059

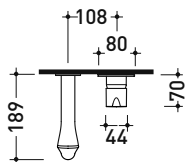
Concealed single-lever mixer with wall spout (stop&go drain included)

Complements: Line accessories FOLD

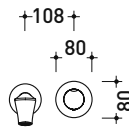
Package dim.

Weight **1,8 kg**

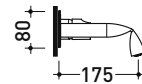
Pz. Pallet n° -



vista zenitale / zenital view



vista frontale / frontal view



vista laterale / lateral view

sizes in mm

BRASS: glossy finish



chrome

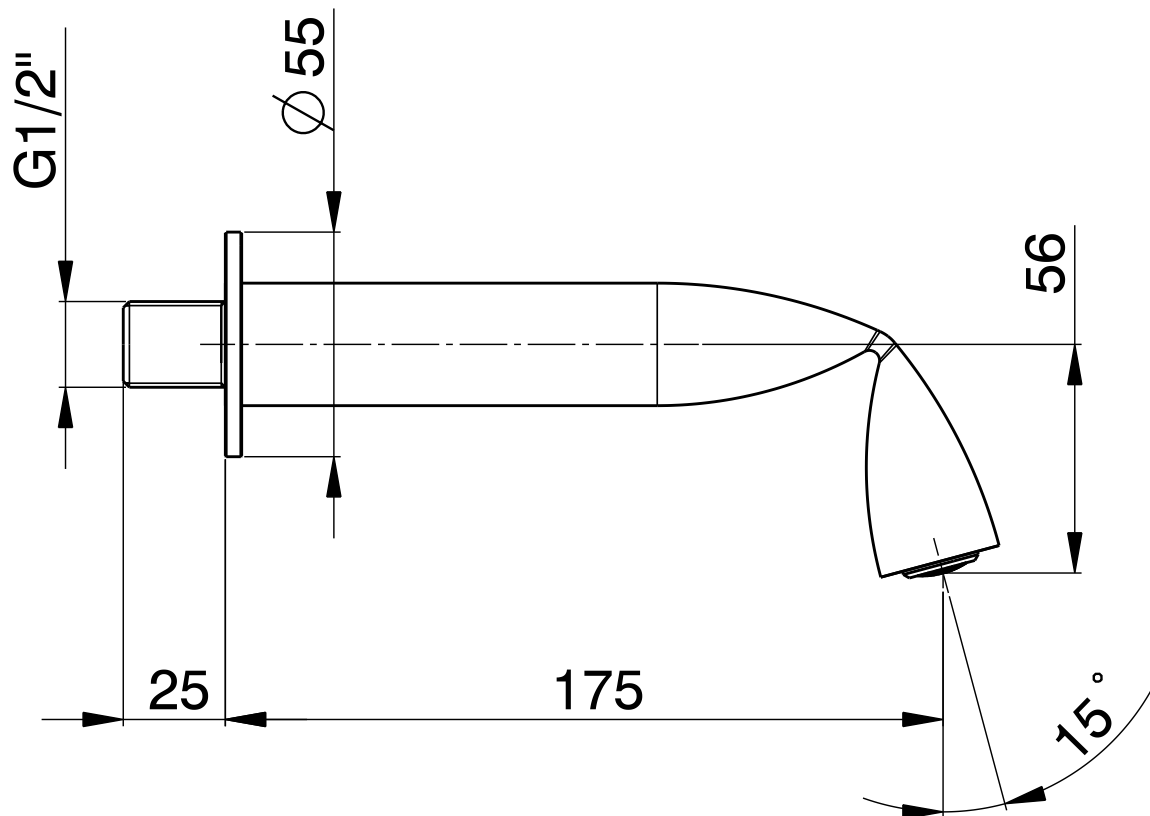
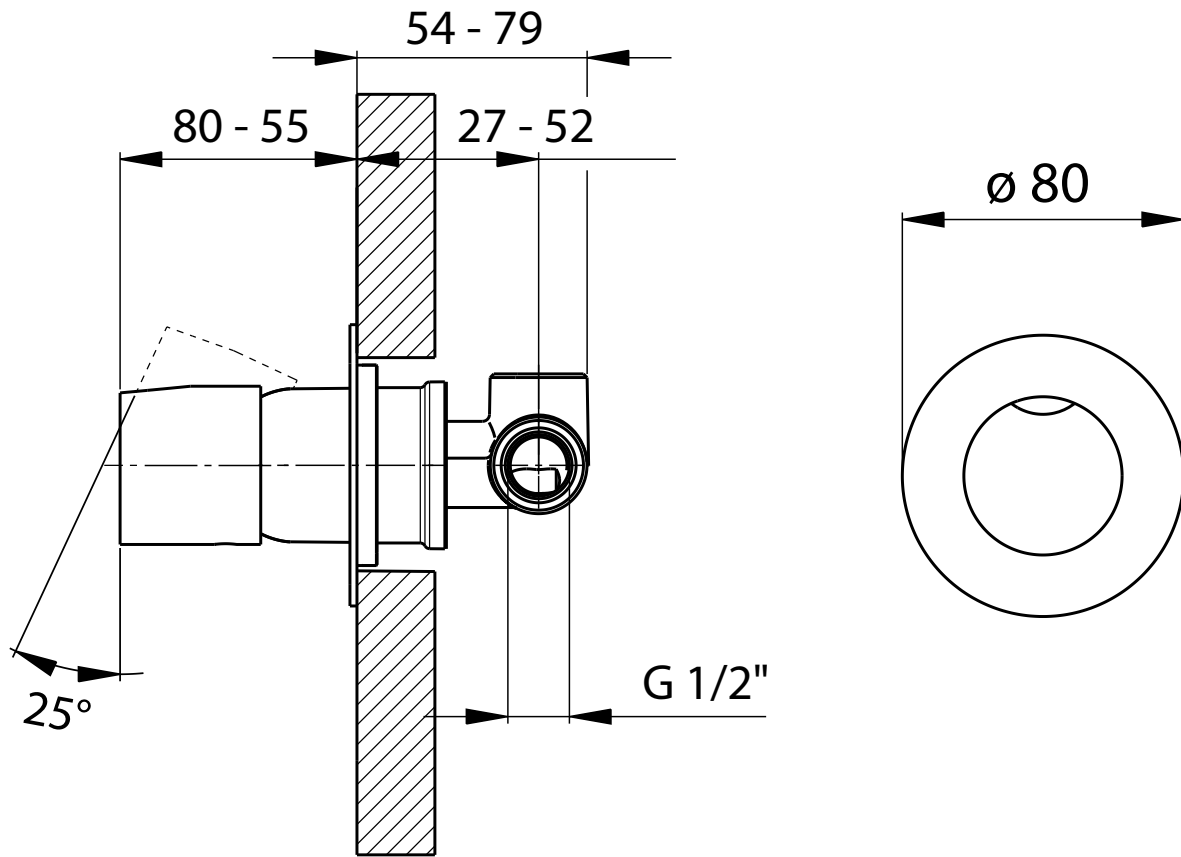
<http://www.ceramicaflaminia.it/en/products/289-fold>

©ceramicaflaminiaspa - All rights reserved. Unauthorized copying, publication, reproduction as well as partial reproduction are prohibited

may 2022



art. **FL3059**



sizes in mm