

FN50L Fonte 50

Countertop basin 50 cm

• WITHOUT OVERFLOW • WITHOUT TAP LEDGE

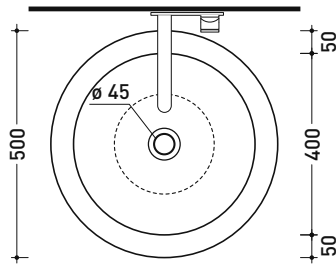
Complements: **FORTY6 shelf (F6FNT)**
BOX wall hung vanity units depth 50 cm
CUBIKA wall hung vanity units depth 50 cm
DENVER furniture (DV103M)
 Line taps basin: **ONE - NOKÉ - SI - FOLD - x1**
 Line accessories: **TWO - HOOP - NOKÉ - FOLD**

Technical accessories: **Chrome siphon (SIFL/CR) - Telescopic chrome siphon (SIFL066)**
Stop & Go drain (PLSG)
CERAMIC Stop & Go drain (PLCE)
Chrome waste with automatic integrated overflow (PLTPCR)
Waste with automatic integrated overflow and ceramic cover (PLTPCE)
Two piece set chrome tap filters (RF026)

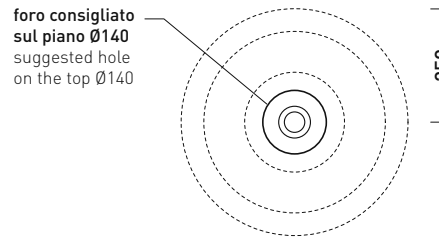
Package dim. 52,5 x 20 x 50 cm | Weight 14,5 kg | Pz. Pallet n° 20



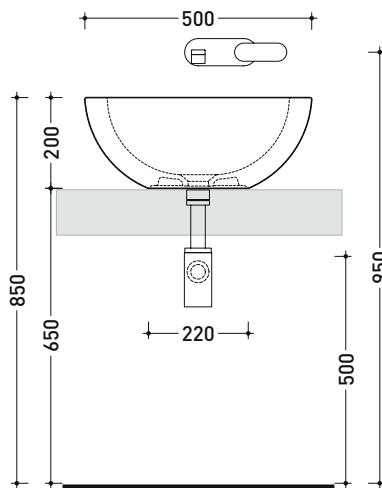
CE UNI EN 14688 - CL00 Dop-No14688



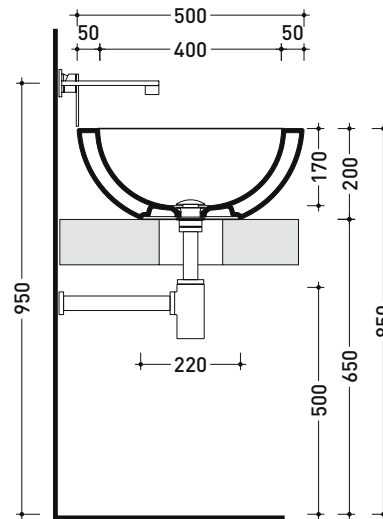
vista zenitale / zenital view



vista zenitale / zenital view



vista frontale / frontal view



sezione longitudinale / section

sizes in mm

Please consider a 2% tolerance on indicated measurements

CERAMIC: glossy finish



white