

design **ALEXANDER DURINGER** and **STEFANO ROSINI**

2004

IO4290 IO90

Recessed basin cm 90

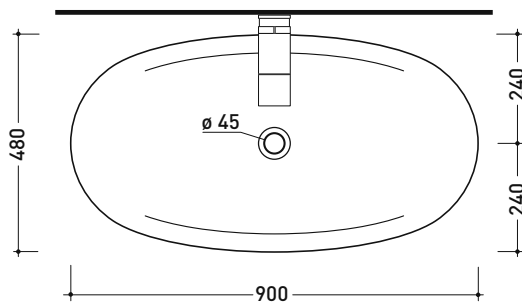
• WITHOUT OVERFLOW • WITHOUT TAP LEDGE

Complements: **IO shelves** (IO90M1 - IO90M2 - IO90M3)
IO Pietraluce shelf (IO90M4)
Line taps basin: ONE - NOKÉ - SI - FOLD - X1
Line accessories: TWO - HOOP - NOKÉ - FOLD

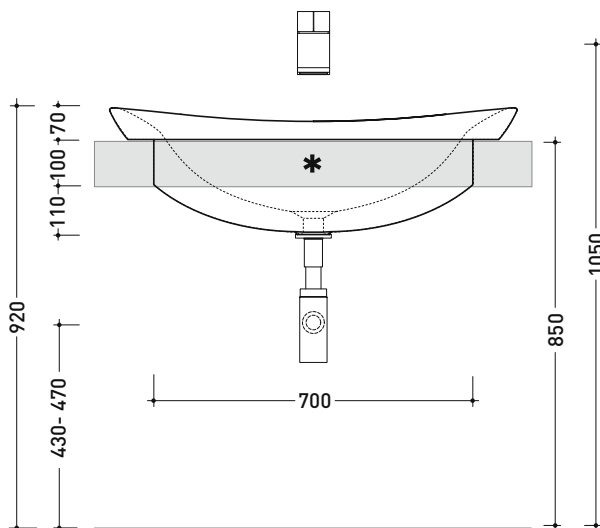
Technical accessories: **Chrome space saving basin siphon** (SIFL03)
Stop & Go drain (PLSG)
CERAMIC Stop & Go drain (PLCE)
Chrome waste with automatic integrated overflow (PLTPCR)
Waste with automatic integrated overflow and ceramic cover (PLTPCR)
Two piece set chrome tap filters (RF026)

Package dim. 89,5 x 27,5 x 49 cm | Weight 27,5 kg | Pz. Pallet n° 12

UNI EN 14688 - CL00 Dop-No14688

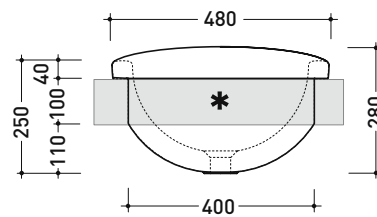


vista zenitale / zenital view

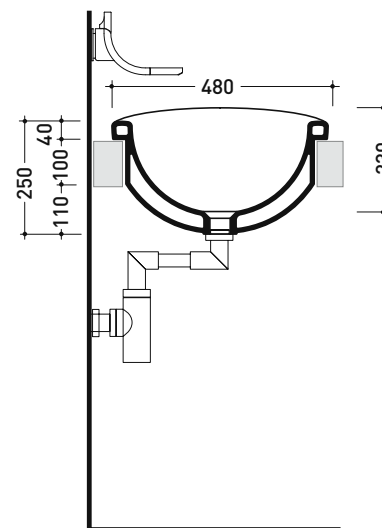


vista frontale / frontal view

* è obbligatorio utilizzare dima di taglio
 is compulsory use cutting template



vista laterale / lateral view



sezione longitudinale / section

sizes in mm

CERAMIC: glossy finish



white black

matt finish



milky white carbone

Please consider a 2% tolerance on indicated measurements