

## MW48SP Miniwash 48

Under-counter basin 48 cm

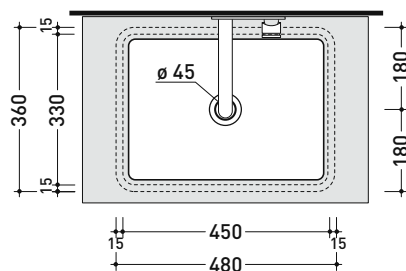
• WITHOUT OVERFLOW • GLAZED EXTERIOR

Complements: **FLY crystal tops (FY48PC)**  
**FLYMAX Pietraluce tops (FY48SP)**  
 Line taps basin: ONE - NOKÉ - SI - FOLD - X1  
 Line accessories: TWO - HOOP - NOKÉ - FOLD

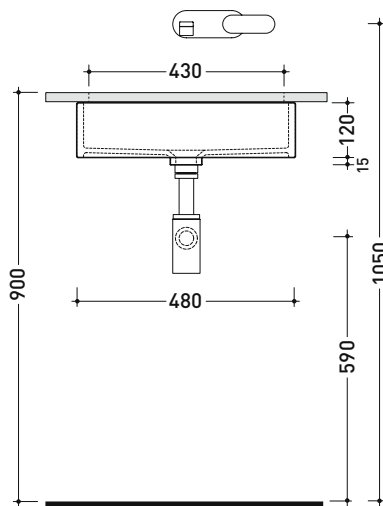
Technical accessories: **Chrome siphon (SIFL/CR) - Telescopic chrome siphon (SIFL066)**  
**Stop & Go drain (PLSG)**  
**CERAMIC Stop & Go drain (PLCE)**  
**Chrome waste with automatic integrated overflow (PLTPCR)**  
**Waste with automatic integrated overflow and ceramic cover (PLTPCE)**  
**Two piece set chrome tap filters (RF026)**

Package dim. 49 x 14,5 x 37,5 cm | Weight 14,5 kg | Pz. Pallet n° 42

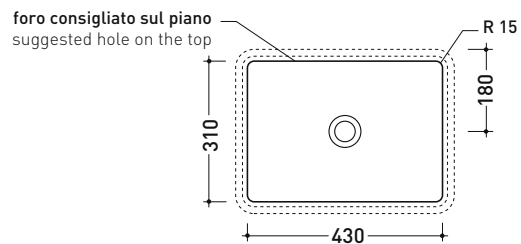
UNI EN 14688 - CL00 Dop-No14688



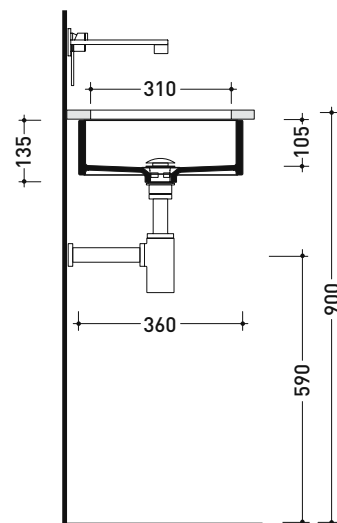
vista zenitale / zenital view



vista frontale / frontal view



vista zenitale / zenital view



sezione longitudinale / section

sizes in mm

CERAMIC: glossy finish



white black

matt finish



milky white carbone argilla cenere nuvola fango rosso rubens petrolio

Please consider a 2% tolerance on indicated measurements