

MWL75 Miniwash 75

Countertop or wall hung by fixing brackets basin cm 75

• WITHOUT OVERFLOW • WITHOUT TAP LEDGE

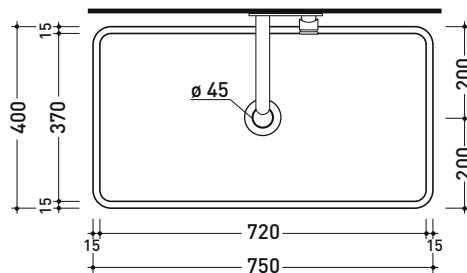
Complements: FORTY6 shelf (F6MW)
 *Pair of wall fixing brackets (MWS)
 Furniture BOX - depth. 50
 Furniture CUBIKA - depth. 50
 Furniture DENVER (DV103M)
 Line taps basin: ONE - NOKÉ - SI - FOLD - X1
 Line accessories: TWO - HOOP - NOKÉ - FOLD

Technical accessories: Chrome siphon (SIFL/CR) - Telescopic chrome siphon (SIFL066)
 Stop & Go drain (PLSG)
 CERAMIC Stop & Go drain (PLCE)
 Chrome waste with automatic integrated overflow (PLTPCR)
 Waste with automatic integrated overflow and ceramic cover (PLTPCE)
 Two piece set chrome tap filters (RF026)

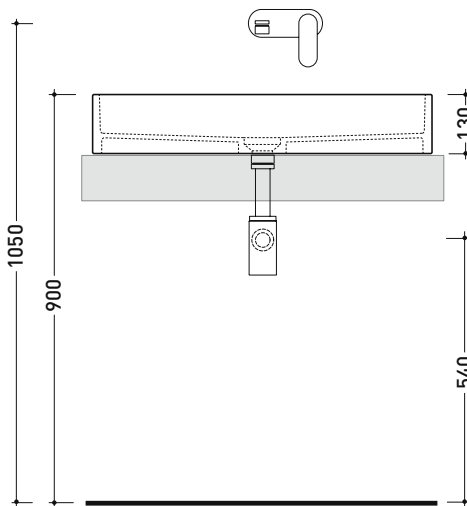
Package dim. 77 x 14,5 x 42 cm | Weight 19 kg | Pz. Pallet n° 24



CE UNI EN 14688 - CL00 Dop-No14688

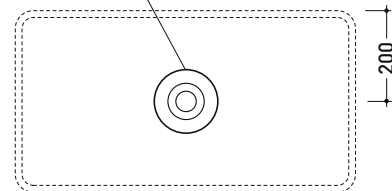


vista zenitale / zenital view

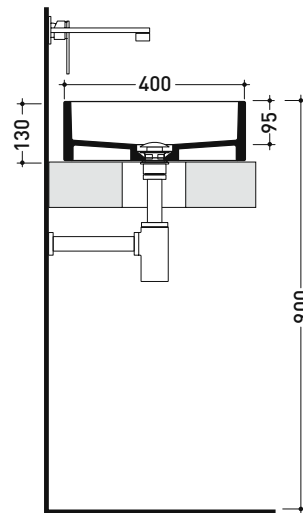


vista frontale / frontal view

foro consigliato sul piano ø 140
 suggested hole on the top ø140



vista zenitale / zenital view



sezione longitudinale / section

sizes in mm

CERAMIC: glossy finish



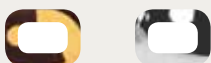
white black

matt finish



milky white carbone argilla cenere nuvola fango rosso rubens petrolio

METAL: glossy finish



white / gold white / platinum

SILVER: matt finish



SilverWhite SilverBlack

Please consider a 2% tolerance on indicated measurements