

## ND60PR Nudaslim 60

Countertop - wall hung basin 60 cm with tap ledge

• WITH OVERFLOW • ARRANGED FOR THREE HOLES TAP

Complements: FORTY6 shelf (F6ND)  
 BOX wall hung vanity units depth 37 cm  
 CUBIKA wall hung vanity units depth 37 cm  
 Struttura Filo 75 (FI75SV - FI75SC)  
 Line taps basin: ONE - NOKÈ - FOLD - X1  
 Line accessories: TWO - HOOP - NOKÈ - FOLD

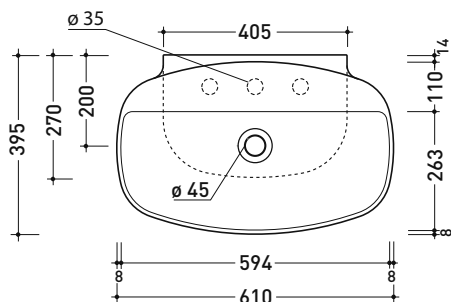
Technical accessories: Chrome siphon (SIFL/CR) - Telescopic chrome siphon (SIFL066)  
 Stop & Go drain (PLSG)  
 Two piece set chrome tap filters (RF026)  
 CERAMIC Stop & Go drain (PLCE)  
 Fixing kit for wall (9002)

Package dim.

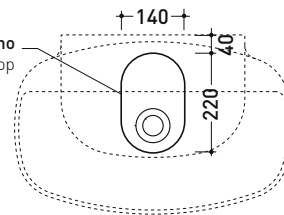
Weight 12,5 kg

Pz. Pallet n° 12

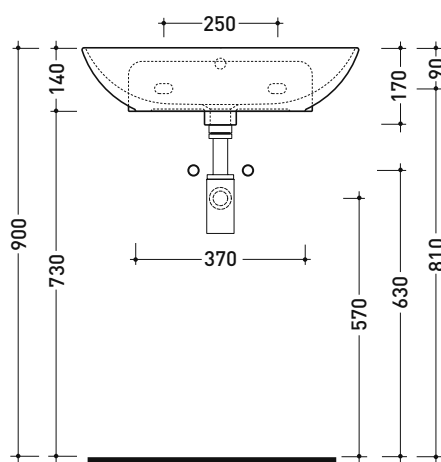
UNI EN 14688 - CL20 Dop-No14688



foro consigliato sul piano  
suggested hole on the top

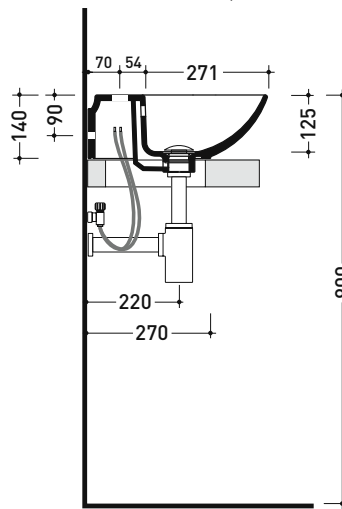


vista zenitale / zenital view



vista frontale / frontal view

vista zenitale / zenital view



sezione longitudinale / section

sizes in mm

CERAMIC: glossy finish



white

black

matt finish



milky white

carbone

argilla

cenere

nuvola

fango

rosso rubens

petrolio