

ND75L Nudaslim 75

Countertop - wall hung basin 75 cm

• WITHOUT OVERFLOW • WITHOUT TAP LEDGE

Complements: FORTY6 shelf (F6ND)
 BOX wall hung vanity units depth 37 cm
 CUBIKA wall hung vanity units depth 37 cm
 Line taps basin: ONE - NOKÈ - FOLD - X1
 Line accessories: TWO - HOOP - NOKÈ - FOLD

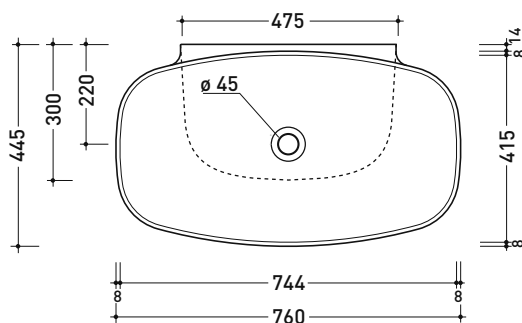
Technical accessories: Chrome siphon (SIFL/CR) - Telescopic chrome siphon (SIFL066)
 Stop & Go drain (PLSG)
 CERAMIC Stop & Go drain (PLCE)
 Chrome waste with automatic integrated overflow (PLTPCR)
 Waste with automatic integrated overflow and ceramic cover (PLTPCE)
 Fixing kit for wall (9002)

Package dim.

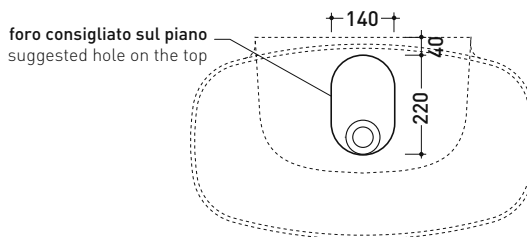
Weight 12,5 kg

Pz. Pallet n° 12

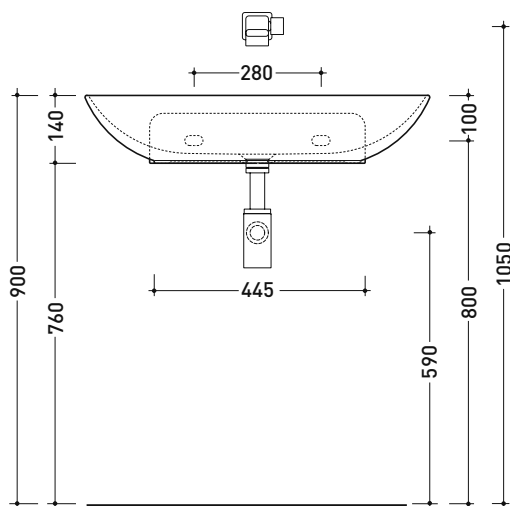
UNI EN 14688 - CL00 Dop-No14688



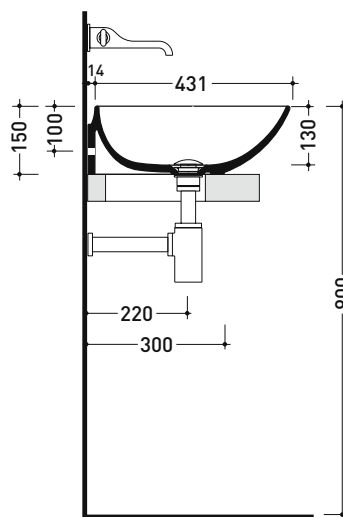
vista zenitale / zenital view



vista zenitale / zenital view



vista frontale / frontal view



sezione longitudinale / section

sizes in mm

Please consider a 2% tolerance on indicated measurements

CERAMIC: glossy finish



matt finish

