

## ND75PR Nudaslim 75

### Countertop - wall hung basin 75 cm with tap ledge

• WITH OVERFLOW • ARRANGED FOR THREE HOLES TAP

Complements: FORTY6 shelf (F6ND)  
 BOX wall hung vanity units depth 37 cm  
 CUBIKA wall hung vanity units depth 37 cm  
 Line taps basin: ONE - NOKÈ - FOLD - X1  
 Line accessories: TWO - HOOP - NOKÈ - FOLD

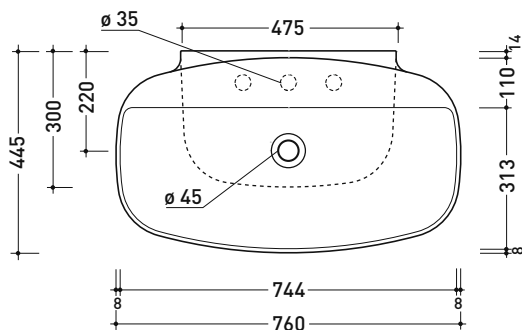
Technical accessories: Chrome siphon (SIFL/CR) - Telescopic chrome siphon (SIFL066)  
 Stop & Go drain (PLSG)  
 Two piece set chrome tap filters (RF026)  
 CERAMIC Stop & Go drain (PLCE)  
 Fixing kit for wall (9002)

Package dim.

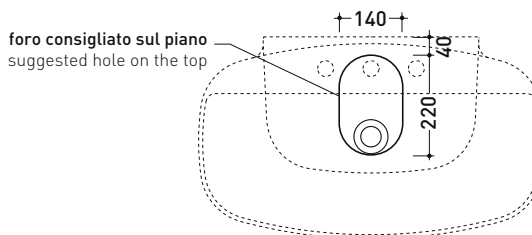
Weight 16,5 kg

Pz. Pallet n° 12

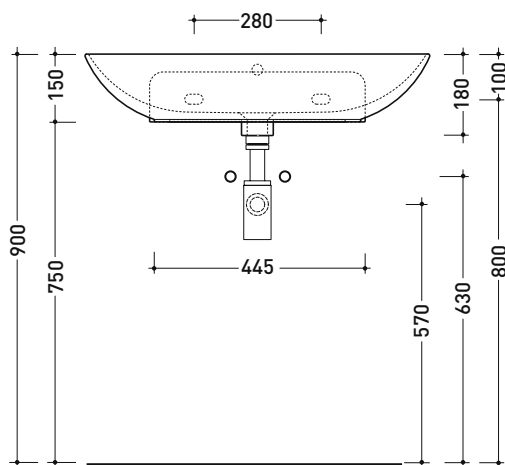
UNI EN 14688 - CL20 Dop-No14688



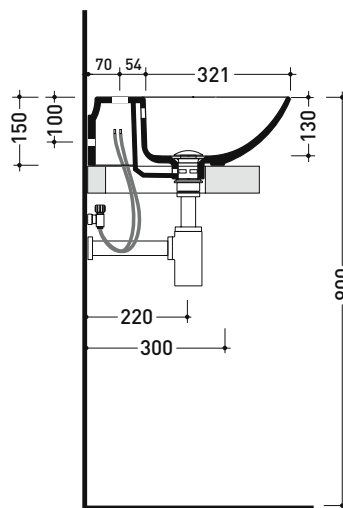
vista zenitale / zenital view



vista zenitale / zenital view



vista frontale / frontal view



sezione longitudinale / section

sizes in mm

Please consider a 2% tolerance on indicated measurements

CERAMIC: glossy finish



white black

matt finish



milky white carbone argilla cenere nuvola fango rosso rubens petrolio