

PS50L Pass 50

Countertop - wall hung basin 50 cm

• WITH OVERFLOW • ARRANGED FOR THREE HOLES TAP

Complements: FORTY6 shelf (F6PS50)
 BOX wall hung vanity units depth 50 cm
 CUBIKA wall hung vanity units depth 50 cm
 DENVER furniture (DV103M)
 Line taps basin: ONE - NOKÉ - SI - FOLD - X1
 Line accessories: TWO - HOOP - NOKÉ - FOLD

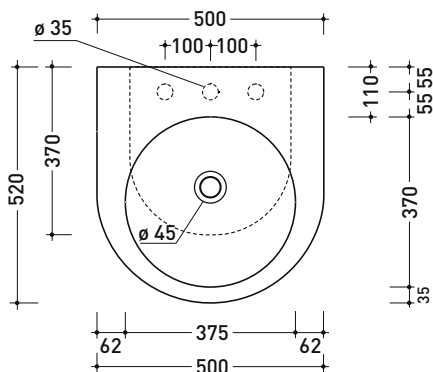
Technical accessories: Chrome siphon (SIFL/CR) - Telescopic chrome siphon (SIFL066)
 Stop & Go drain (PLSG)
 CERAMIC Stop & Go drain (PLCE)
 Two piece set chrome tap filters (RF026)
 Fixing kit for wall (9002)

Package dim.

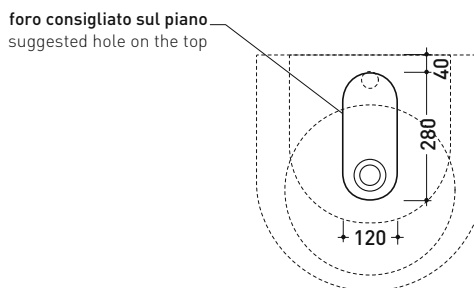
Weight 18 kg

Pz. Pallet n° 20

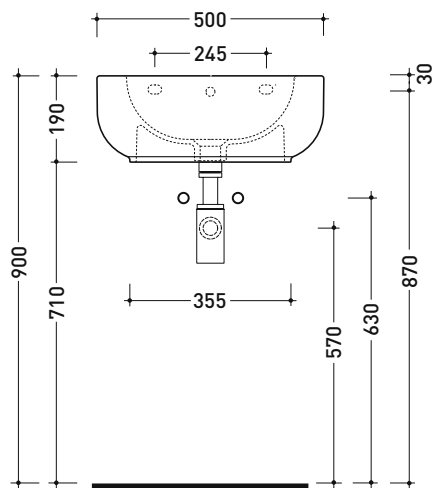
UNI EN 14688 - CL20 Dop-No14688



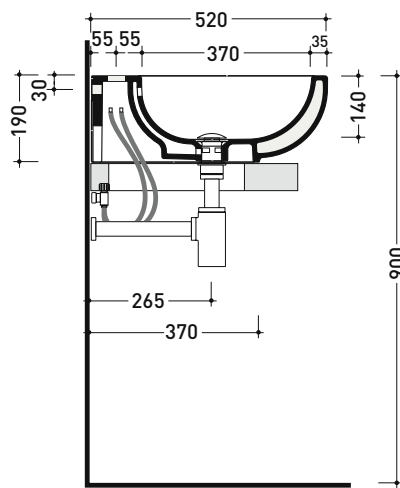
vista zenitale / zenital view



vista zenitale / zenital view



vista frontale / frontal view



sezione longitudinale / section

sizes in mm

Please consider a 2% tolerance on indicated measurements

CERAMIC: glossy finish



white