

PS60A Pass 60

Countertop basin 60 cm

• WITHOUT OVERFLOW • WITHOUT TAP LEDGE

Complements: **FORTY6 shelf (F6PS60)**
BOX wall hung vanity units depth 37 cm
CUBIKA wall hung vanity units depth 37 cm
 Line taps basin: **ONE - NOKÉ - SI - FOLD - X1**
 Line accessories: **TWO - HOOP - NOKÉ - FOLD**

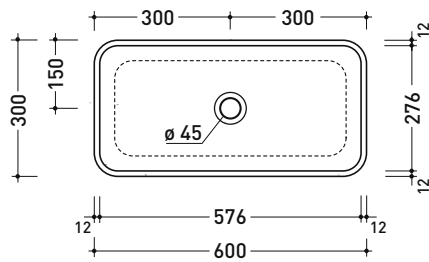
Technical accessories: **Chrome siphon (SIFL/CR) - Telescopic chrome siphon (SIFL066)**
Stop & Go drain (PLSG)
CERAMIC Stop & Go drain (PLCE)
Chrome waste with automatic integrated overflow (PLTPCR)
Waste with automatic integrated overflow and ceramic cover (PLTPCE)
Two piece set chrome tap filters (RF026)

Package dim.

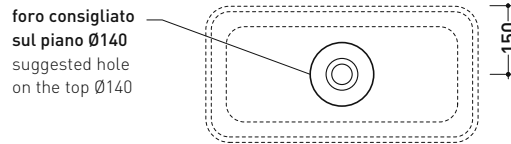
Weight **10 kg**

Pz. Pallet n° **36**

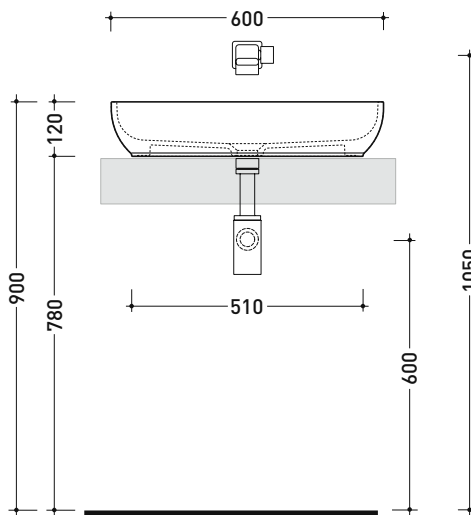
CE UNI EN 14688 - CL00 Dop-No14688



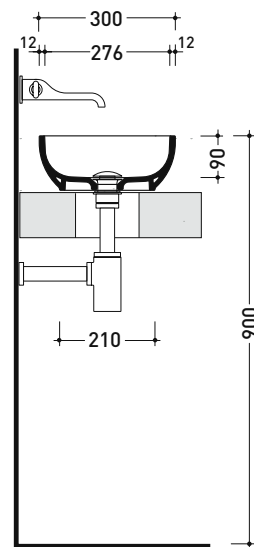
vista zenitale / zenital view



vista zenitale / zenital view



vista frontale / frontal view



sezione longitudinale / section

sizes in mm

CERAMIC: glossy finish



white

Please consider a 2% tolerance on indicated measurements