

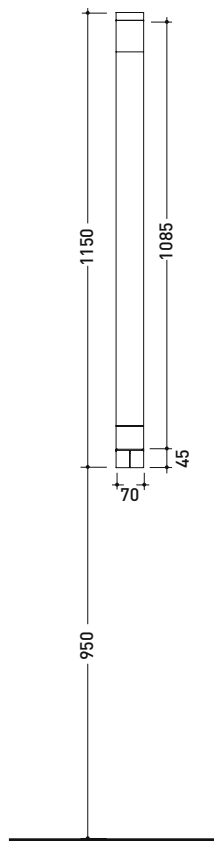
design ALEXANDER DURINGER and STEFANO ROSINI

2005

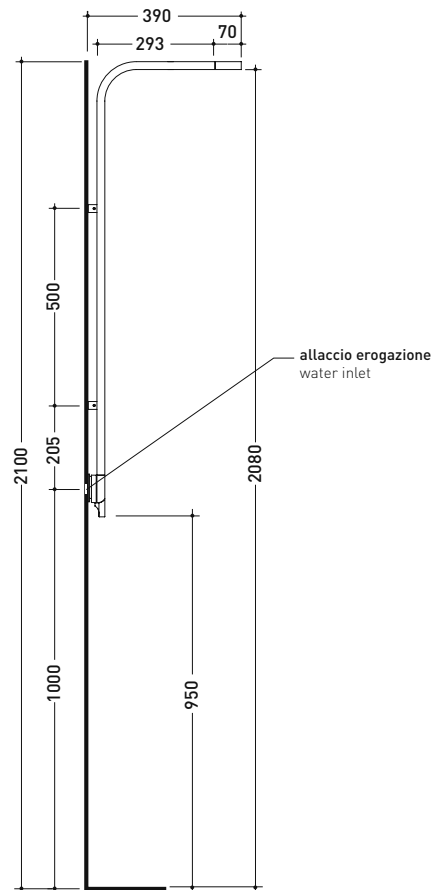
SI2072

Wall mounted shower system with dual controls
and integrated shower headComplements: Line accessories TWO
Line accessories HOOP

Package dim. 126 x 31 x 20 cm | Weight 9,6 kg | Pz. Pallet n° -



vista frontale / frontal view



vista laterale / lateral view

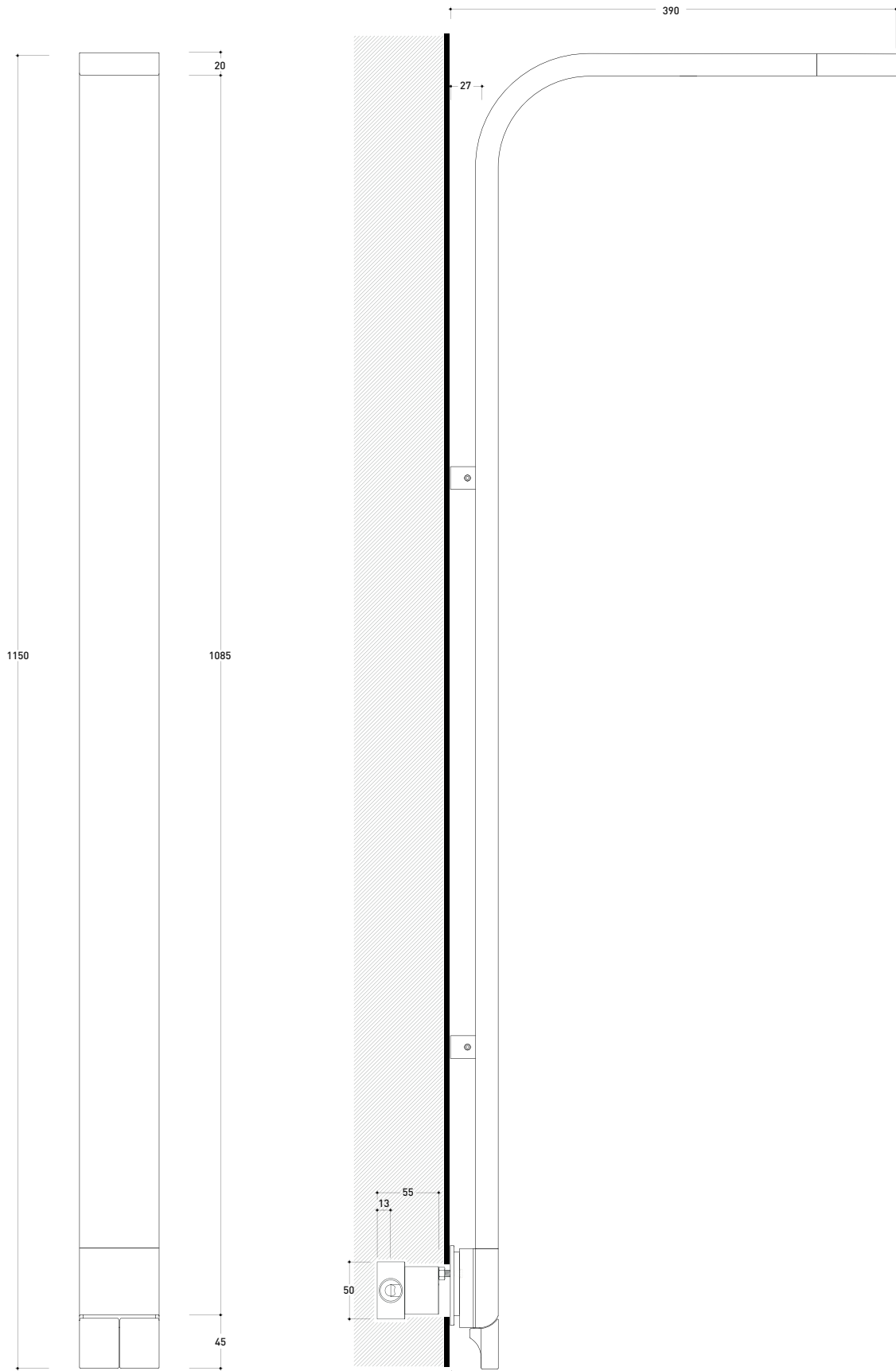
sizes in mm

BRASS: glossy finish



chrome

art. **SI2072**



sizes in mm