

VL52L Volo 52

Countertop - wall hung basin 52 cm

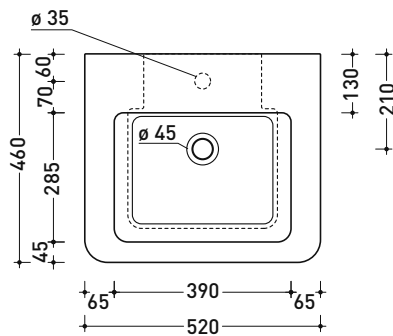
• WITH OVERFLOW • ARRANGED FOR SINGLE-HOLE

Complements: **BOX** wall hung vanity units depth 50 cm
CUBIKA wall hung vanity units depth 50 cm
DENVER furniture (DV103M)
 Line taps basin: ONE - NOKÉ - SI - FOLD - X1
 Line accessories: TWO - HOOP - NOKÉ - FOLD

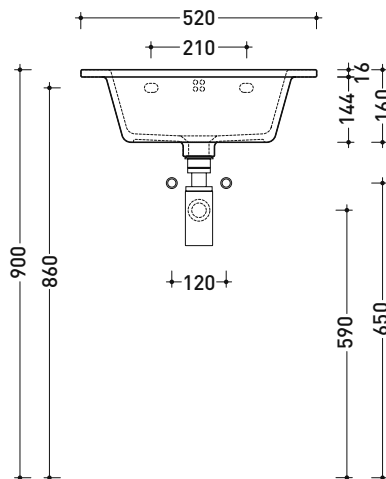
Technical accessories: **Chrome siphon (SIFL/CR)** - **Telescopic chrome siphon (SIFL066)**
Stop & Go drain (PLSG)
CERAMIC Stop & Go drain (PLCE)
Two piece set chrome tap filters (RF026)

Package dim. 53,5 x 20 x 48 cm | Weight 15 kg | Pz. Pallet n° 18

UNI EN 14688 - CL20 Dop-No14688

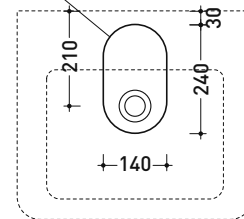


vista zenitale / zenital view

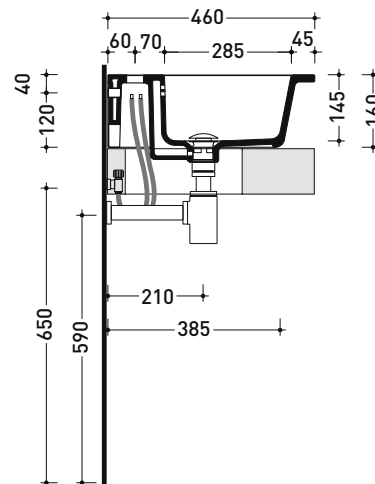


vista frontale / frontal view

foro consigliato sul piano
suggested hole on the top



vista zenitale / zenital view



sezione longitudinale / section

sizes in mm

CERAMIC: glossy finish



white

Please consider a 2% tolerance on indicated measurements