

5081 Nuda 85

Countertop - wall hung basin 85 cm with tap ledge

• WITH OVERFLOW • ARRANGED FOR THREE HOLES TAP

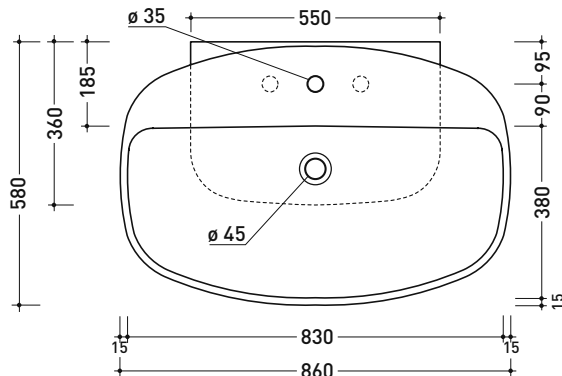
Complements: FORTY6 shelf (F68081)
 BOX wall hung vanity units depth 50 cm
 CUBIKA wall hung vanity units depth 50 cm
 DENVER furniture (DV103M)
 Line taps basin: ONE - NOKÈ - FOLD - X1
 Line accessories: TWO - HOOP - NOKÈ - FOLD

Technical accessories: Chrome siphon (SIFL/CR) - Telescopic chrome siphon (SIFL066)
 Stop & Go drain (PLSG)
 CERAMIC Stop & Go drain (PLCE)
 Two piece set chrome tap filters (RF026)
 Fixing kit for wall (9002)

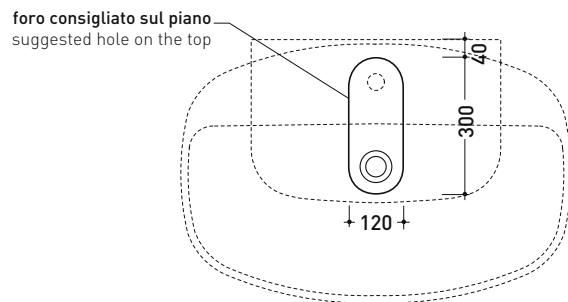
Package dim. 87 x 18,5 x 59,5 cm | Weight 30,3 kg | Pz. Pallet n° 10



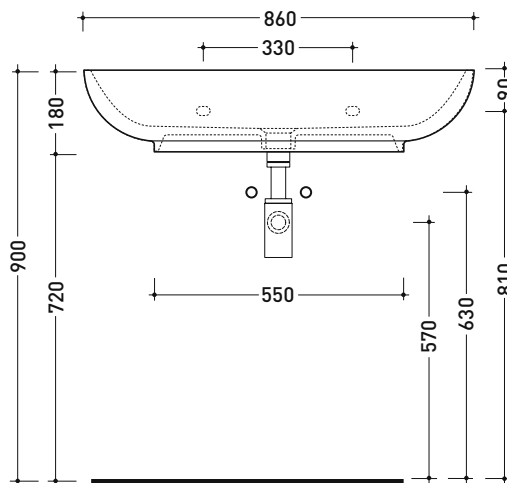
CE UNI EN 14688 - CL20 Dop-No14688



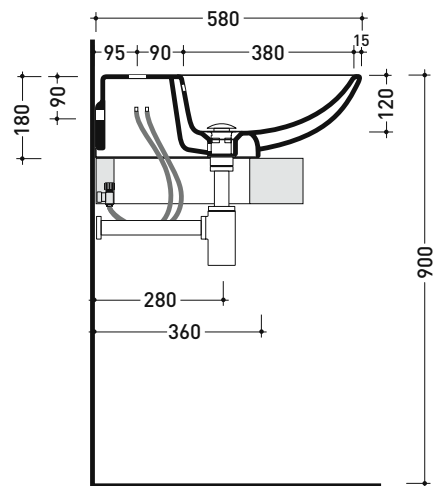
vista zenitale / zenital view



vista zenitale / zenital view



vista frontale / frontal view



sezione longitudinale / section

sizes in mm

Please consider a 2% tolerance on indicated measurements

CERAMIC: glossy finish



matt finish

